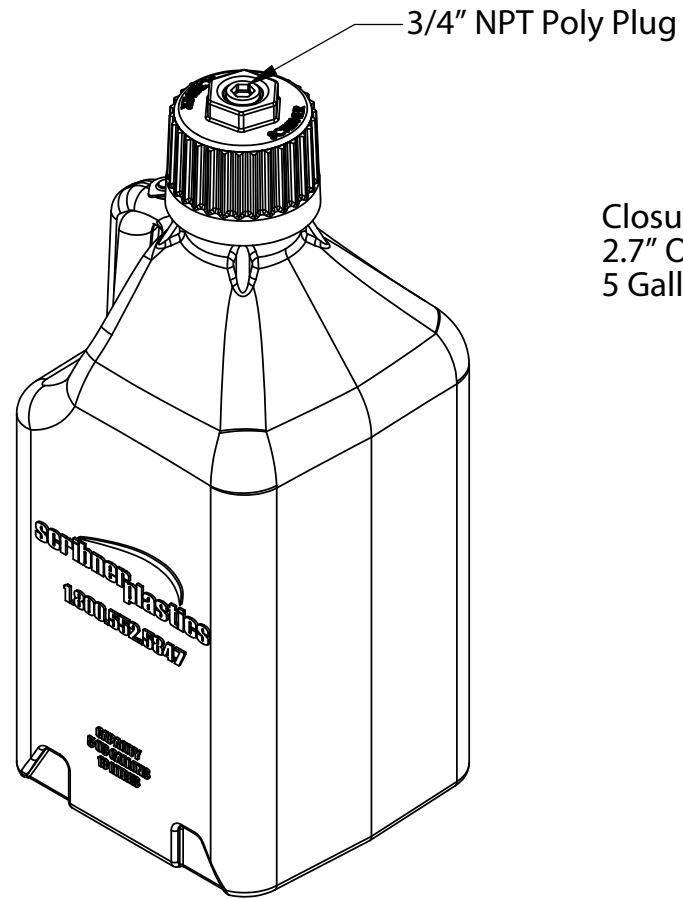
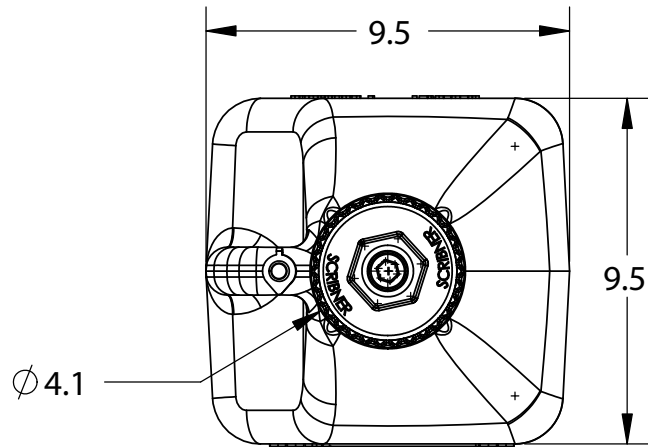
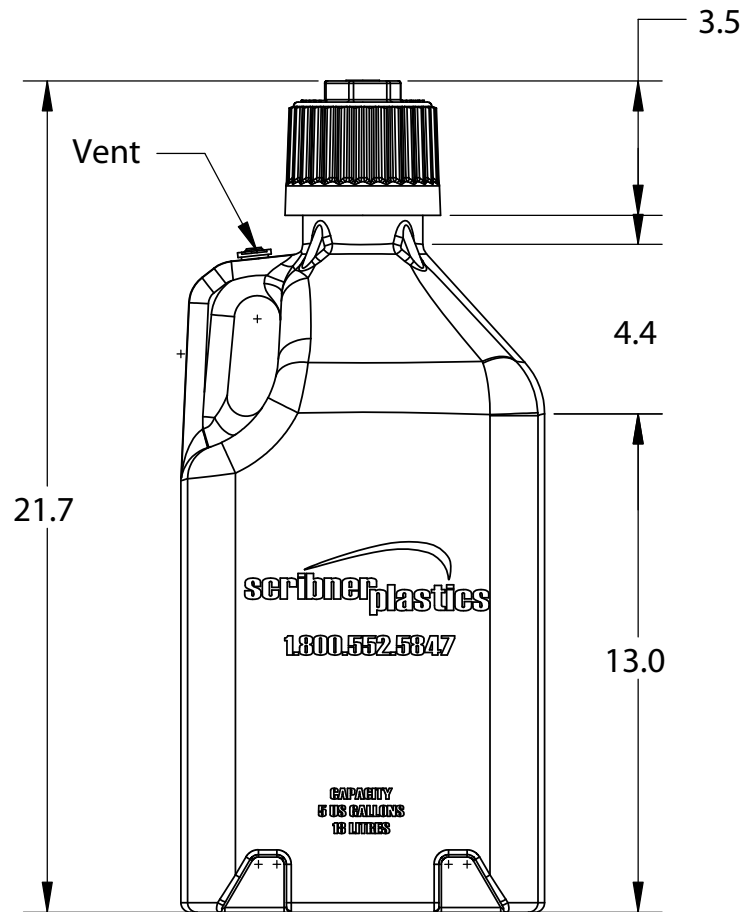


		REVISIONS		
ZONE	REV.	DESCRIPTION	DATE	APPROVED
	A	Initial Release	07/21/03	RS



Closure: 3TPI
 2.7" Opening
 5 Gallon (18 Liter) Capacity



Specifications subject to change without notice



11455 Hydraulic Drive Rancho Cordova, CA. 95742-6870 Tel: 800-552-5847 Fax: 916-638-2278 www.scribnerplastics.com info@scribnerplastics.com		TITLE: Utility Jug	
UNLESS OTHERWISE SPECIFIED: DIMENSIONS ARE IN INCHES DO NOT SCALE DRAWING		SIZE: A	SCALE:

5

↑

4

3

2

1